

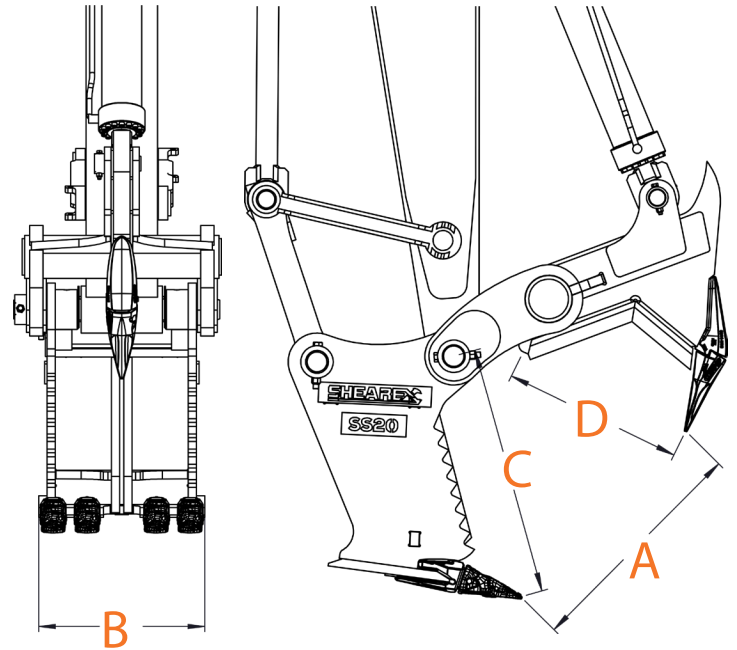
STUMP SHEAR

SS SERIES



IDEAL FOR
LAND CLEARING

Finish your landclearing jobs in-depth by uprooting and cutting roots, stumps, and biomass beyond the reach of your other land clearing tools.



SPECIFICATIONS

		lbs (kg)	in (mm)	A	B	C	D
	Carrier	Weight	Opening	in (mm)	Width	Tip radius	in (mm)
				Opening	Width	Tip radius	in (mm)
SS16	12t-16t	2,315 (1,050)*	52 (1,321)	22 (559)	32 (813)	21 (533)	
SS16M	12t-16t	2,315 (1,050)*	52 (1,321)	22 (559)	32 (813)	21 (533)	
SS20	15t-24t	2,811 (1,275)*	58 (1,473)	25 (635)	34 (864)	24 (610)	
SS20M	15t-24t	2,811 (1,275)*	58 (1,473)	25 (635)	34 (864)	24 (610)	
SS27	18t-25t	3,858 (1,750)*	64 (1,626)	30 (762)	42 (1,067)	30 (762)	
SS27M	18t-25t	3,858 (1,750)*	64 (1,626)	30 (762)	42 (1,067)	30 (762)	
SS30	25t-38t	5,512 (2,500)*	68 (1,727)	30 (762)	43 (1,092)	31 (787)	
SS30M	25t-38t	5,512 (2,500)*	68 (1,727)	30 (762)	43 (1,092)	31 (787)	
SS40	30t-50t	7,716 (3,500)*	72 (1,828)	32 (813)	48 (1,219)	34 (864)	

The information is subject to change without notice.

sales@shearex.ca - 579-213-0350

325, rue de l'Église, Roxton Falls, QC J0H 1E0



A GRYB COMPANY

SH-SAS-STUMP_SHEAR-E-22-01